



BabyWIND

LOW PROFILE CENTRIFUGAL FAN COIL UNITS



SMALL BIG SOLUTION

Low profile centrifugal fan coil units BabyWIND

Compact and characterized by a dimension extremely redoubt in height (only 415 mm). Available in 5 different sizes and 6 versions to satisfy all installation requirements.

- Floor mounted
- Horizontal type with frontal air intake
- Vertical wall recessed type with frontal air intake and top or frontal air outlet
- Horizontal ceiling concealed type with frontal air intake and supply.



Structure

Galvanized steel sheet (8/10 mm thick) insulated in all parts in direct contact with the conditioned air. Insulated condensate tray made of galvanized steel sheet, complete with drain plug for complete drainage. Sides with knock-outs for fast fixing of accessories. Wall-anchoring slots for easy fixing and levelling of the unit.

Air filter

Filtering honeycomb polypropylene fabric enclosed within a metal frame to facilitate withdrawal and cleaning. Filtering rate of the standard model: EU1. Available with different filtering rate on request.

Cabinet

Modern design that blends in with any environment. Made in hot-dip galvanized steel sheet pre-coated with PVC to ensure high resistance to rust, corrosion, chemical agents, aliphatic solvents and alcohols. Air grilles made of ABS and the control panel protective flap are inserted in the cabinet top.

Standard colour: white RAL 9010.

Other RAL colours are available on request.

Heat exchanger

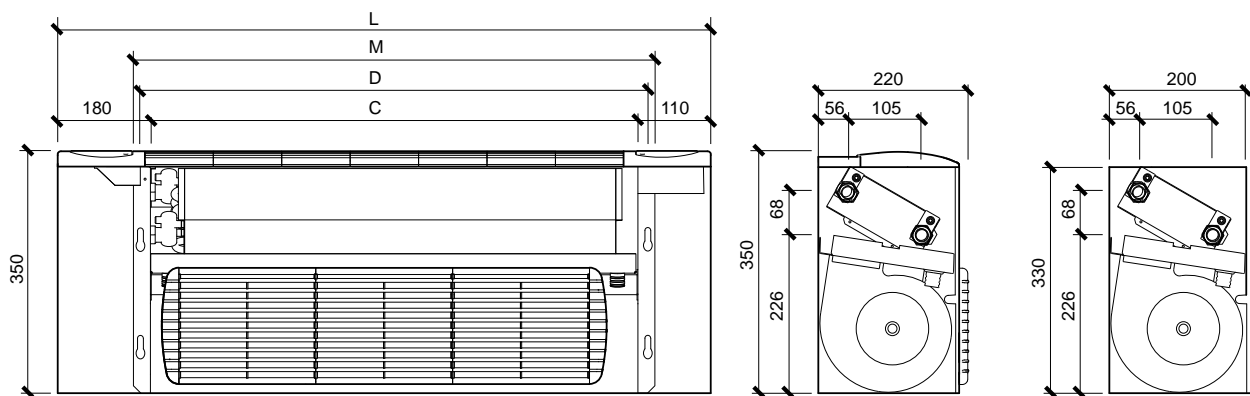
Coils are made of copper pipe expanded into aluminium fins in continuous block. Brass headers with female fittings (GAS threads) and easily accessible air vents. In the standard version, the water connections are located on the left (when viewing the outlet). They may be supplied on the right on request.

Blower section

Double-inlet centrifugal fans with statically and dynamically balanced horizontally-oriented aluminium impellers. Single-phase asynchronous electric motor with overload cutout. 3 speeds of rotation. The motor is directly coupled to the fans and cushioned with flexible mountings to ensure low noise.

			1	2	3	4	5
Fans		n°	1	1	2	2	2
Standard coil	Rows	n°	3	3	3	3	3
	Fittings	Ø	1/2"	1/2"	1/2"	1/2"	1/2"
Condensate drain fitting		Ø mm	16	16	16	16	16
Dimensions	L	mm	560	760	960	1.160	1.360
	M	mm	362	562	762	962	1.162
	C	mm	310	510	710	910	1.110
	D	mm	342	542	752	952	1.152
Net weight		kg	15	16	21	26	30

GENERAL DIMENSIONS



			1	2	3	4	5
Total cooling capacity	W	max	746	1.602	2.450	3.419	4.545
	W	med	679	1.120	2.012	2.789	3.766
	W	min	575	829	1.615	2.114	3.116
Sensible cooling capacity	W	max	705	1.260	1.840	2.520	3.448
	W	med	604	849	1.473	2.018	2.780
	W	min	482	606	1.159	10.492	2.251
Water flow	l/h	max	129	276	422	589	784
Water pressure drop	kPa	max	1,47	5,96	14,6	31,6	20,2
Heating capacity	W	max	2.519	3.758	5.080	6.818	9.377
	W	med	2.008	2.804	4.132	5.466	7.676
	W	min	1.521	2.001	3.302	4.065	6.271
Water flow	l/h	max	217	324	438	588	808
Water pressure drop	kPa	max	1,73	4,87	10,6	21,9	14,7
Electric heater capacity	W	-	/	1.000	1.000	2.000	3.000
	A	-	/	1.500	2.000	3.000	4.000
Air flow	m³/h	max	268	337	432	577	834
	m³/h	med	192	226	327	429	632
	m³/h	min	131	147	245	294	484
Sound power level	db(A)	max	57	55	55	58	64
	db(A)	med	49	46	47	51	55
	db(A)	min	41	37	40	43	48
Sound pressure level	db(A)	max	48	46	46	49	55
	db(A)	med	40	37	38	42	46
	db(A)	min	32	28	31	34	39
Power input	W	max	42,3	44	54	80	95
Absorbet current	A	max	0,19	0,2	0,25	0,36	0,44
Water content	L		0,327	0,575	0,822	1,07	1,31



- Standard unit with free outlet: external static pressure = 0 Pa
- Sound power level: ISO 23741
- Sound pressure level: 8,6 dB(A) lower that the sound power level for a room of 90 m³ with a reverberation time of 0,5 sec.
- Supported power supply: -230V±10% / 1ph / 50-60Hz



COOLING
 Inlet water temp.: 7°C
 Outlet water temp.: 12°C
 Inlet air temp.: 27°C d.b. - 19°C w.b.



HEATING
 Air temp.: 20°C
 Inlet water temp.: 70/60°C



CE